



# NETXPRESS™ THIN-CLIENT MOUNTING BRACKET INSTALLATION GUIDE

## Using the NetXpress Thin-Client Mounting Bracket

The NetXpress mounting bracket is specifically designed for hanging the NetXpress and power supply vertically or horizontally. It is to be mounted using three 1/4" screws firmly tightened into a sturdy wooden base such as a desk or wall brace.

**Step 1:** Use the [8.5" X 11" mounting bracket template](#) provided to determine correct placement for the NetXpress.

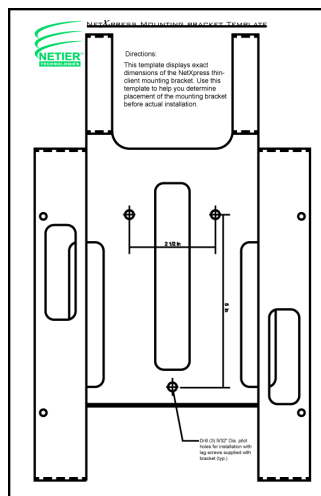


Figure 1: Determining NetXpress placement using the provided template.

**Step 2:** Using the three screws provided, mount the bracket in the desired location.

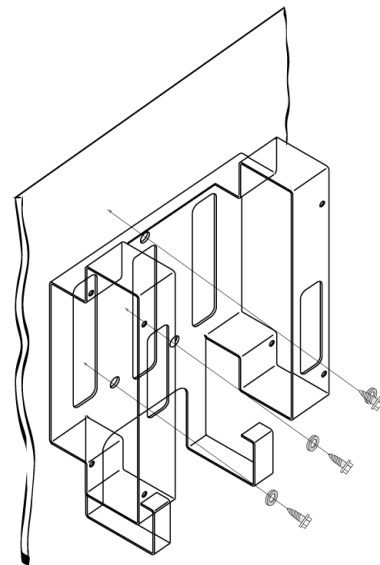


Figure 2: Mounting the NetXpress bracket.

**Step 3:** Insert the NetXpress and power supply into the bracket.

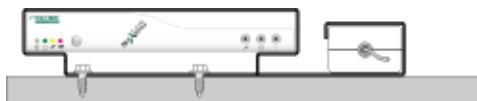


Figure 3: End view of bracket containing a NetXpress thin client.

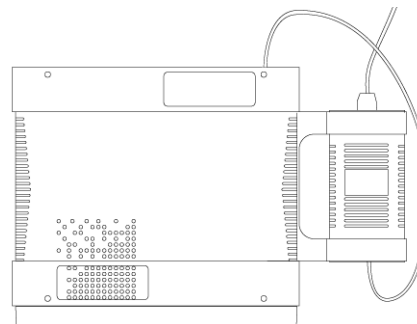


Figure 4: Top view of bracket containing a NetXpress thin client.